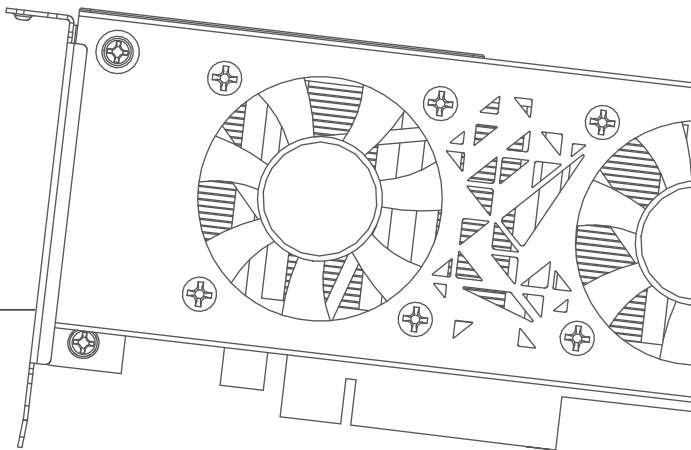




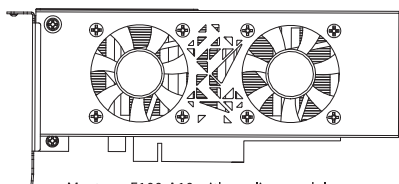
Mustang-F100-A10

AI Acceleration Card Quick Installation Guide

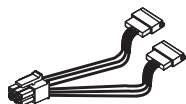


www.ieiworld.com

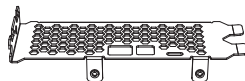
Package contents



Mustang-F100-A10 with cooling module
Low-profile bracket (preinstalled)



External Power Connector

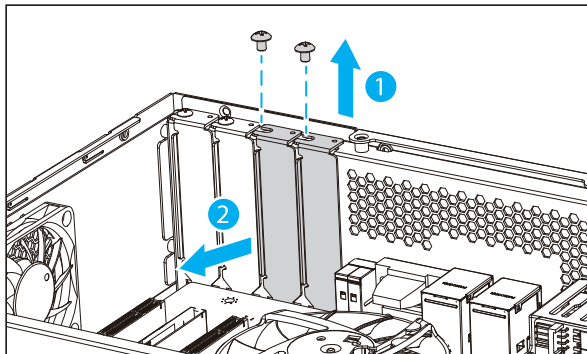


Full-height bracket

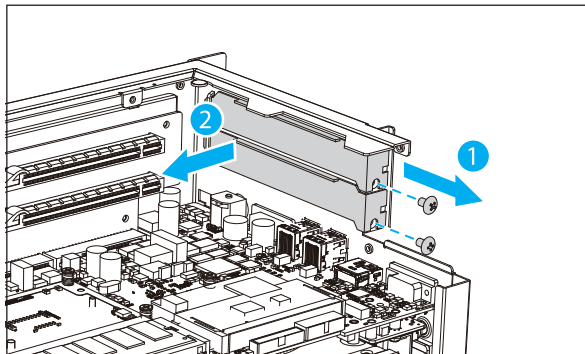
I. Remove PCIe cover

Remove the PCIe cover and identify the required bracket.

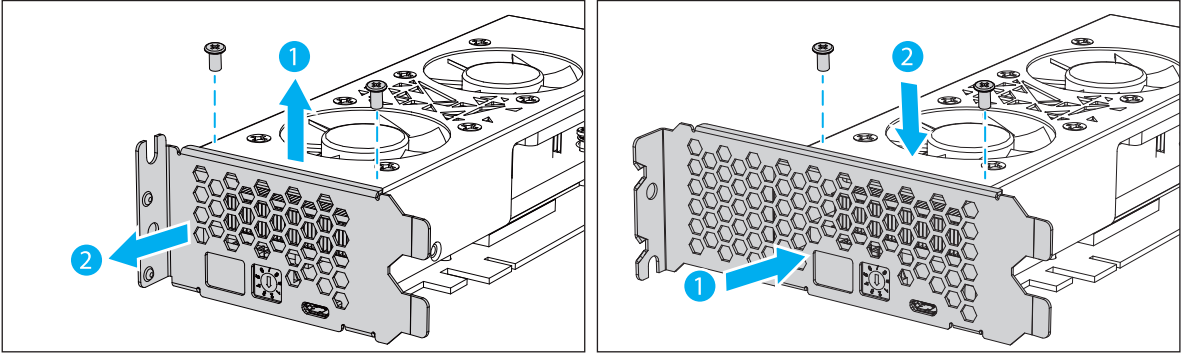
Use low-profile bracket



Use full-height bracket

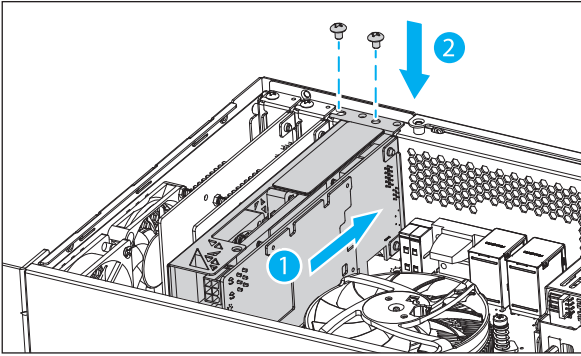


II. Change bracket

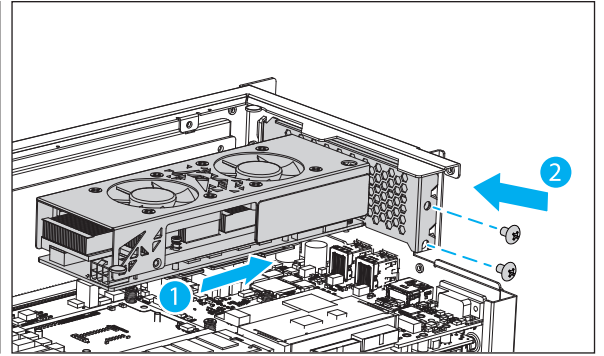


III. Install Musatang-F100-A10 to system

Use low-profile bracket



Use full-height bracket



DECLARATION OF CONFORMITY

This equipment has been tested and found to comply with specifications for CE marking. If the user modifies and/or installs other devices in the equipment, the CE conformity declaration may no longer apply.



FCC WARNING

This equipment complies with Part 15 of the FCC Rules. Operation is subject to the following two conditions:

- This device may not cause harmful interference, and
- This device must accept any interference received, including interference that may cause undesired operation.

This equipment has been tested and found to comply with the limits for a Class A digital device, pursuant to part 15 of the FCC Rules. These limits are designed to provide reasonable protection against harmful interference when the equipment is operated in a commercial environment. This equipment generates, uses, and can radiate radio frequency energy and, if not installed and used in accordance with the instruction manual, may cause harmful interference to radio communications. Operation of this equipment in a residential area is likely to cause harmful interference in which case the user will be required to correct the interference at his own expense.



威強電工業電腦 IEI Integration Corp.

No. 29, Zhongxing Rd., Xizhi Dist., New Taipei City 221, Taiwan
TEL : +886-2-86916798 / +886-2-26902098 FAX : +886-2-66160028
sales@ieiworld.com www.ieiworld.com

Q I G 說 明

品名：Mustang-F100-A10

料號：51000-024557-RS

材質：雙面水性消光_100P雪銅

用色：正2色(C.K) 背2色(C.K)

尺寸：80(w)x160(h)mm±2mm (三折)

廠商：東展
